

OUTER CONE SEPARABLE CONNECTOR - UP TO 24 kV – 630 A

ELCONEXT 24C-K

ELCONEXT 24C-K is Elcon Megarad range of outer cone separable tee connectors for polymeric insulated cables connections to equipments with bushings type "C" according to CENELEC EN 50180 and EN 50181.

The electrical field stress control at the cable semiconductor cut is achieved by means of the Elcon Megarad specially formulated high permittivity compound, inside the bi-layer cable adapter pre-expanded onto a spiral. The separable connector is fully screened by means of a thick polymeric semiconductive outer layer, pre-molded over the body insulating material.

Application

For connections of polymeric insulated cables to equipments by means of bushing type "C" up to 24 kV (U_m) - B.I.L. 125 kV - and 630 A. For any type of cable metallic screen.

Suitable for mechanical, hexagonal and deep indent conductor lugs.

Compliant with standard CENELC HD 629.1 S2.

Selection guide

Connector body identification

Connector body type	Cable size (U_m 12, 17.5, 24 kV) [mm ²]
24C-K1	25 - 300

Cable adapter identification

Adapter type	Cable insulation diameter range [mm]	Cable conductor size (for guidance only) [mm ²]		
		U_m 12 kV	U_m 17,5 kV	U_m 24kV
a	19.0 – 24.0	95 - 150	70 - 120	25 - 95
b	24.0 – 27.5	185 - 240	150 - 185	95 - 150
c	27.5 – 31.0	300	240 - 300	185 - 240
d	31.0 – 33.5	--	--	240 - 300

Product identification

Select the right adapter from the cable dimensions. Add the connector body type and the adapter type to the product name. For example, **ELCONEXT 24C-K1a** for a cable insulation diameter between 19.0 and 24.0 mm.

INTERFACE "C" ASYMMETRIC BRANCH TYPE

6/10 (12) kV
6,35/11 (12) kV
8,7/15 (17,5) kV
12/20 (24) kV
12,7/22 (24) kV

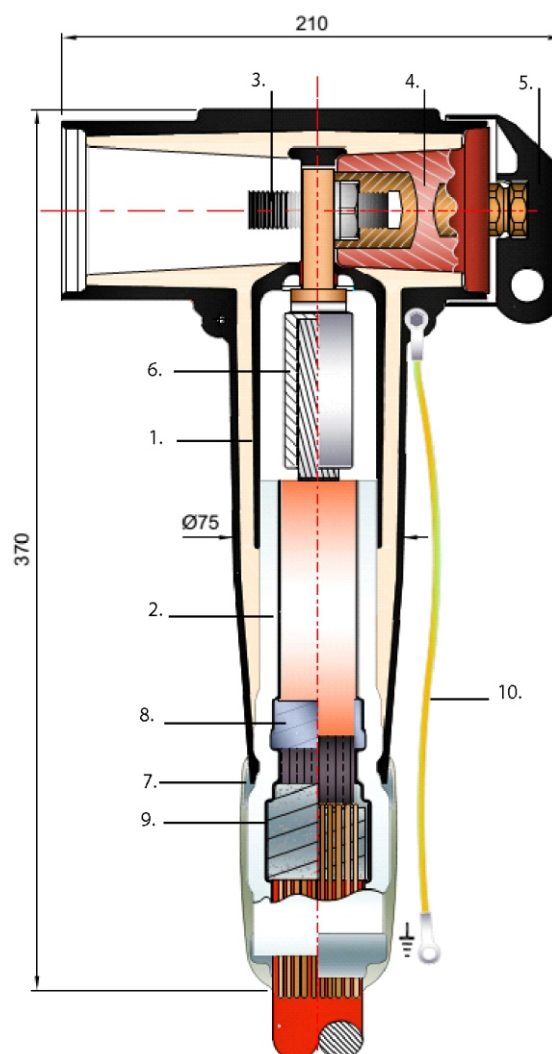


OUTER CONE SEPARABLE CONNECTOR - UP TO 24 KV – 630 A

ELCONEXT 24C-K

Kit components

1. Separable connector body
 2. Cable adapter
 3. Clamping screw
 4. Insulating plug (VD point optional)
 5. Rubber cup
 6. Conductor lug
 7. Silicone tape
 8. Stress control tape
 9. Water sealing mastic
 10. Earthing wire
- Lubricating grease
Earthing lug
PVC tape, abrasive cloth, cleaning tissue and gloves



SCE_24K ED. 03/15 - COPYING AND REPRODUCTION RIGHTS RESERVED.

power cable accessories

Elcon Megarad S.p.A.

Via Nazionale, 110 - 83030 Arcella (AV) Italy - Tel. +39 0825 6077 - Fax +39 0825607782
www.elconmegarad.com - elcon@elconmegarad.com

OUTER CONE SEPARABLE CONNECTOR - UP TO 36 kV – 630 A

ELCONEXT 36C-K

ELCONEXT 36C-K is Elcon Megarad range of outer cone separable tee connectors for polymeric insulated cables connections to equipments with bushings type "C" according to CENELEC EN 50180 and EN 50181.

The electrical field stress control at the cable semiconductor cut is achieved by means of the Elcon Megarad specially formulated high permittivity compound, inside the bi-layer cable adapter pre-expanded onto a spiral. The separable connector is fully screened by means of a thick polymeric semiconductive outer layer, pre-molded over the body insulating material.

Application

For connections of polymeric insulated cables to equipments by means of bushing type "C" up to 36 kV (U_m) - B.I.L. 195 kV - and 630 A. For any type of cable metallic screen.

Suitable for mechanical, hexagonal and deep indent conductor lugs.

Compliant with standard CENELEC HD 629.1 S2.

Selection guide

Connector body identification

Connector body type	Cable size (U_m 36 kV) [mm ²]
36C-K1	35 - 300

Cable adapter identification

Adapter type	Cable insulation diameter range [mm]	Cable conductor size (for guidance only) [mm ²]
b	24.0 – 27.5	35 - 70
c	27.5 – 31.0	95 - 120
d	31.0 – 33.5	150 - 185
e	33.5 – 38.5	240 - 300

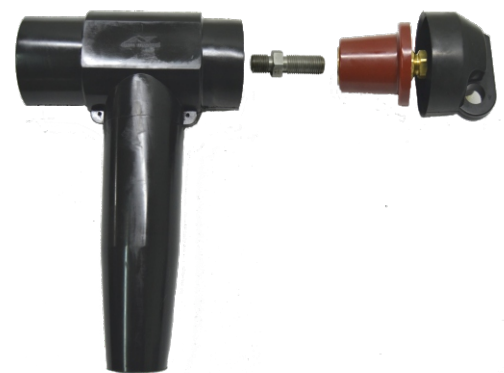
Product identification

Select the right adapter from the cable dimensions. Add the connector body type and the adapter type to the product name. For example, **ELCONEXT 36C-K1d** for a cable insulation diameter between 31.0 and 33.5 mm.

INTERFACE "C" ASYMMETRIC BRANCH TYPE

18/30 (36) kV

19/33 (36) kV

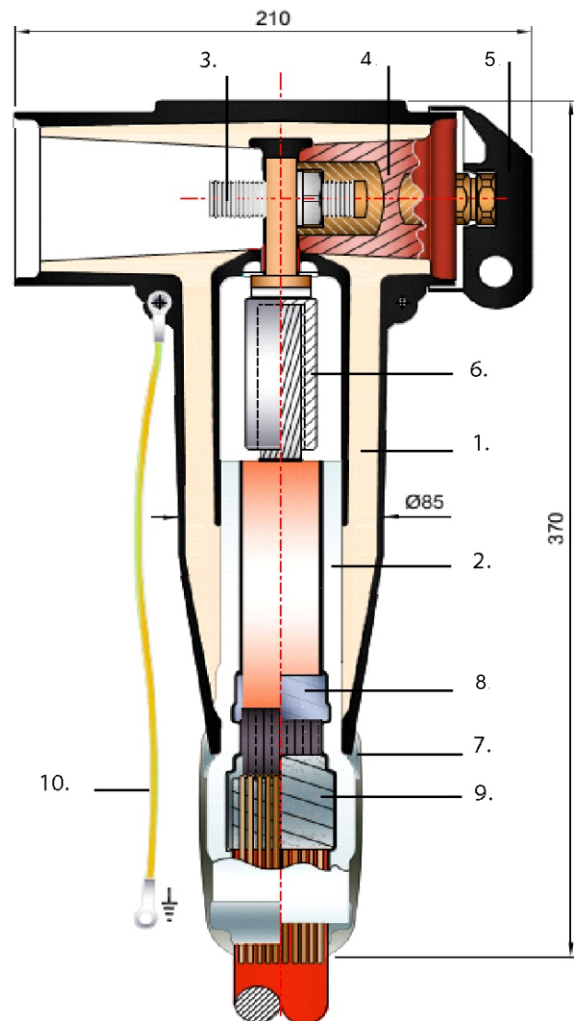


OUTER CONE SEPARABLE CONNECTOR - UP TO 36 KV – 630 A

ELCONEXT 36C-K

Kit components

1. Separable connector body
 2. Cable adapter
 3. Clamping screw
 4. Insulating plug (VD point optional)
 5. Rubber cup
 6. Conductor lug
 7. Silicone tape
 8. Stress control tape
 9. Water sealing mastic
 10. Earthing wire
- Lubricating grease
Earthing lug
PVC tape, abrasive cloth, cleaning tissue and gloves



SCE_036K ED. 03/15 - COPYING AND REPRODUCTION RIGHTS RESERVED.

power cable accessories

Elcon Megarad S.p.A.

Via Nazionale, 110 - 83030 Arcella (AV) Italy - Tel. +39 0825 6077 - Fax +39 0825607782
www.elconmegarad.com - elcon@elconmegarad.com

OUTER CONE SEPARABLE CONNECTOR - UP TO 24 kV – 630 A

ELCONEXT 24C-S

ELCONEXT 24C-S is Elcon Megarad range of outer cone separable tee connectors for polymeric insulated cables connections to equipments with bushings type "C" according to CENELEC EN 50180 and EN 50181.

The electrical field stress control at the cable semiconductor cut is achieved by means of the Elcon Megarad specially formulated high permittivity compound, inside the bi-layer cable adapter pre-expanded onto a spiral. The separable connector is fully screened by means of a thick polymeric semiconductive outer layer, pre-molded over the body insulating material.

Application

For connections of polymeric insulated cables to equipments by means of bushing type "C" up to 24 kV (U_m) - B.I.L. 125 kV - and 630 A. For any type of cable metallic screen. Suitable for mechanical, hexagonal and deep indent conductor lugs.

Compliant with standard CENELEC HD 629.1 S2.

Selection guide

Connector body identification

Connector body type	Cable size (U_m 12, 17.5, 24 kV) [mm ²]
24C-S1	25 - 300

Cable adapter identification

Adapter type	Cable insulation diameter range [mm]	Cable conductor size (for guidance only) [mm ²]		
		U_m 12 kV	U_m 17,5 kV	U_m 24kV
a	19.0 – 24.0	95 - 150	70 - 120	25 - 95
b	24.0 – 27.5	185 - 240	150 - 185	95 - 150
c	27.5 – 31.0	300	240 - 300	185 - 240
d	31.0 – 33.5	--	--	240 - 300

Product identification

Select the right adapter from the cable dimensions. Add the connector body type and the adapter type to the product name. For example, **ELCONEXT 24C-S1a** for a cable insulation diameter between 19.0 and 24.0 mm.

INTERFACE "C" SYMMETRIC BRANCH TYPE

6/10 (12) kV
6,35/11 (12) kV
8,7/15 (17,5) kV
12/20 (24) kV
12,7/22 (24) kV

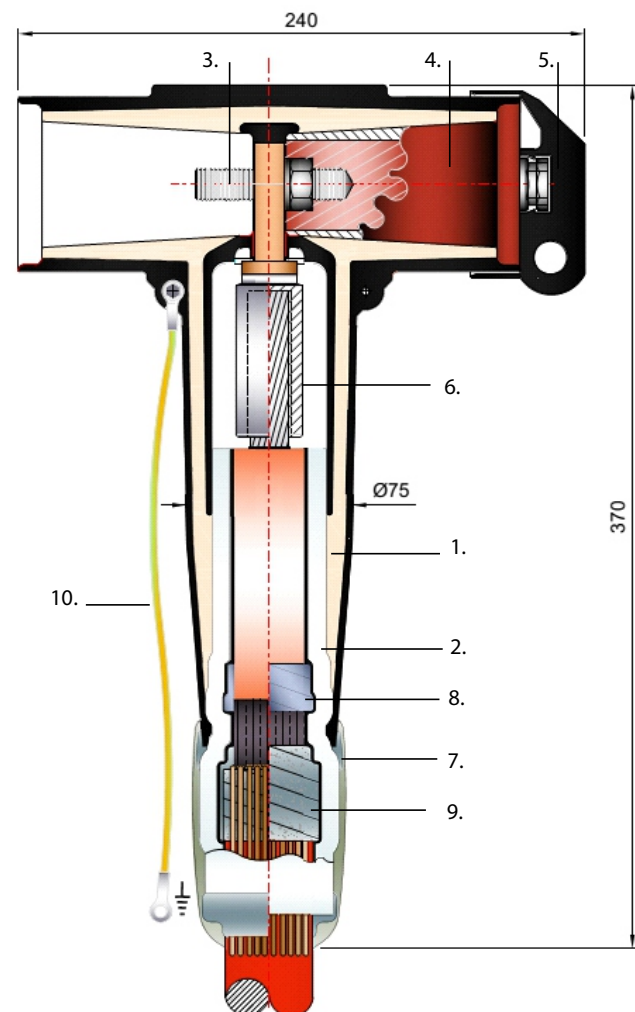


OUTER CONE SEPARABLE CONNECTOR - UP TO 24 KV – 630 A

ELCONEXT 24C-S

Kit components

1. Separable connector body
 2. Cable adapter
 3. Clamping screw
 4. Insulating plug (VD point optional)
 5. Rubber cup
 6. Conductor lug
 7. Silicone tape
 8. Stress control tape
 9. Water sealing mastic
 10. Earthing wire
- Lubricating grease
Earthing lug
PVC tape, abrasive cloth, cleaning tissue and gloves



SCE_24S ED. 03/15 - COPYING AND REPRODUCTION RIGHTS RESERVED.

power cable accessories

Elcon Megarad S.p.A.

Via Nazionale, 110 - 83030 Arcella (AV) Italy - Tel. +39 0825 6077 - Fax +39 0825607782
www.elconmegarad.com - elcon@elconmegarad.com

OUTER CONE SEPARABLE CONNECTOR - UP TO 36 KV – 630 A

ELCONEXT 36C-S

ELCONEXT 36C-S is Elcon Megarad range of outer cone separable tee connectors for polymeric insulated cables connections to equipments with bushings type "C" according to CENELEC EN 50180 and EN 50181.

The electrical field stress control at the cable semiconductor cut is achieved by means of the Elcon Megarad specially formulated high permittivity compound, inside the bi-layer cable adapter pre-expanded onto a spiral.

The separable connector is fully screened by means of a thick polymeric semiconductive outer layer, pre-molded over the body insulating material.

Application

For connections of polymeric insulated cables to equipments by means of bushing type "C" up to 36 kV (U_m) - B.I.L. 195 kV - and 630 A. For any type of cable metallic screen. Suitable for mechanical, hexagonal and deep indent conductor lugs.

Compliant with standard CENELEC HD 629.1 S2.

Selection guide

Connector body identification

Connector body type	Cable size (U_m 36 kV) [mm ²]
36C-S1	35 - 300

Cable adapter identification

Adapter type	Cable insulation diameter range [mm]	Cable conductor size (for guidance only) [mm ²]
b	24.0 – 27.5	35 - 70
c	27.5 – 31.0	95 - 120
d	31.0 – 33.5	150 - 185
e	33.5 – 38.5	240 - 300

Product identification

Select the right adapter from the cable dimensions. Add the connector body type and the adapter type to the product name. For example, **ELCONEXT 36C-S1d** for a cable insulation diameter between 31.0 and 33.5 mm.

INTERFACE "C" SYMMETRIC BRANCH TYPE

18/30 (36) kV

19/33 (36) kV

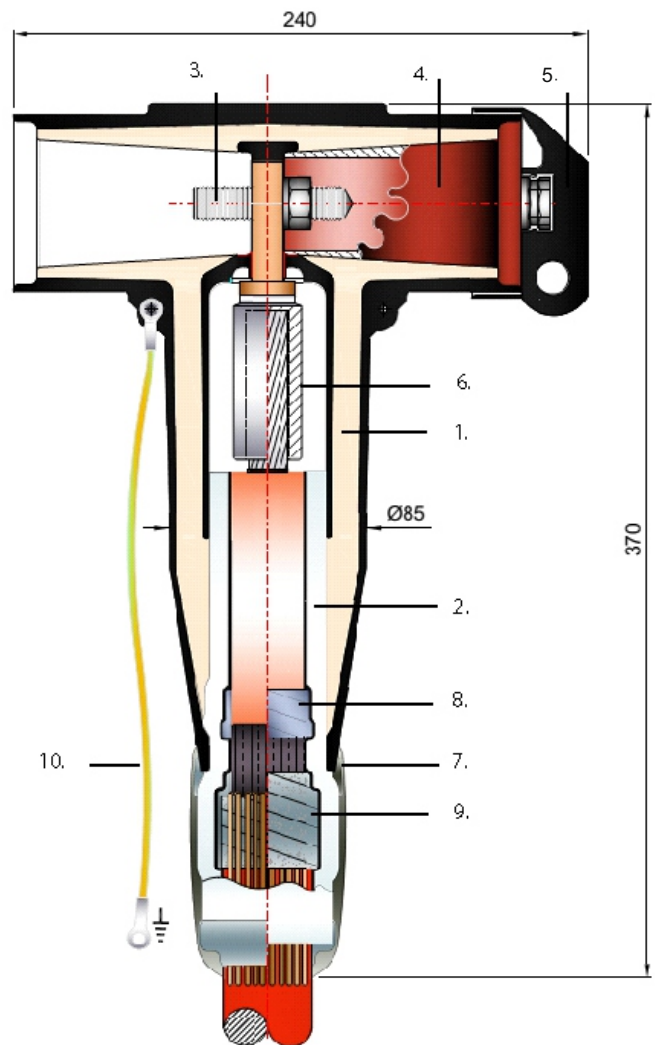


OUTER CONE SEPARABLE CONNECTOR - UP TO 36 KV – 630 A

ELCONEXT 36C-S

Kit components

1. Separable connector body
 2. Cable adapter
 3. Clamping screw
 4. Insulating plug (VD point optional)
 5. Rubber cup
 6. Conductor lug
 7. Silicone tape
 8. Stress control tape
 9. Water sealing mastic
 10. Earthing wire
- Lubricating grease
Earthing lug
PVC tape, abrasive cloth, cleaning tissue and gloves



SCE_36S_ED_03/15 - COPYING AND REPRODUCTION RIGHTS RESERVED.

power cable accessories

Elcon Megarad S.p.A.

Via Nazionale, 110 - 83030 Arcella (AV) Italy - Tel. +39 0825 6077 - Fax +39 0825607782
www.elconmegarad.com - elcon@elconmegarad.com